

► Cleaning the filters

- Clean the filters using a vacuum cleaner. If you do not have a vacuum cleaner, tap the filters against a solid object to knock off dirt and dust.
- If the filters are especially dirty, wash them in lukewarm water. Take care to rinse off any detergent thoroughly and allow the filters to dry completely before putting them back into the unit.

Caution:

- Do not dry the filters in direct sunlight or by using a heat source, such as an electric heater: this may warp them.
- Do not wash the filters in hot water (above 50°C, 122°F), as this may warp them.
- Make sure that the air filters are always installed. Operating the unit without air filters can cause malfunction.

Caution:

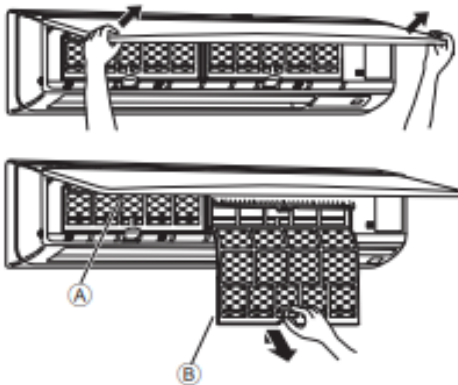
- Before you start cleaning, stop operation and turn OFF the power supply.
- Indoor units are equipped with filters to remove the dust of sucked in air. Clean the filters using the methods shown in the following sketches.

► Filter removal

⚠ Caution:

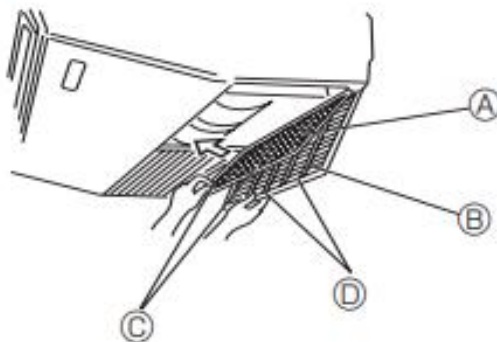
- In removing the filter, precautions must be taken to protect your eyes from dust. Also, if you have to climb up on a stool to do the job, be careful not to fall.
- When the filter is removed, do not touch the metallic parts inside the indoor unit, otherwise injury may result.

■ PKA-A·KA7



- ① Using both hands, pull both the bottom corners of the intake grille to open the grille, then lift the filter until it clicks at the stop position.
- ② Hold the knobs on the filter and pull the filter up, then pull it out downward.  
(Located in two places, on the left and right.)  
Ⓐ Front grille  
Ⓑ Filter

■ PCA-A·KA7



- ① Open the intake grille.
- ② Hold the knob on the filter then pull the filter up in the direction of an arrow. To replace the filter after cleaning, be sure to insert the filter far enough until it fits into the stopper.  
Ⓐ Filter    Ⓑ Intake Grille    Ⓒ Knob    Ⓓ Stopper